



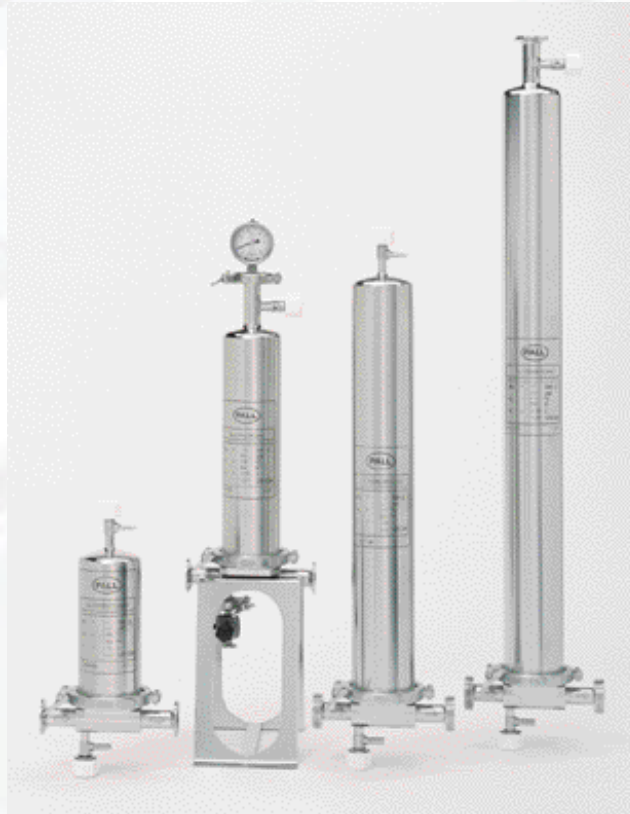
Pall Corporation

USD 2007

Advanta Filter Housings

Advanta Filter Housings

Advanced sanitary filter housings
for liquid applications



Ordering Information

Pall Part Number:

ALT1 H4

Code	Filter cartridge type	Code	Inlet/Outlet	Code	Vent
05	AB05/AB02	G23	1"OD Tubing with Triclamp connection to ISO 2852	A	Sanitary valve with quick-release fitting for Staubli type couplings
1	AB1	GNW25	Dairy fitting NW 25 to DIN 11851	C	1½" Triclamp connection to ISO 2852 with side sanitary valve with quick-release fitting for Staubli type couplings
2	AB2	GA25	Aseptic thread connection NW 25 to DIN 11864-1	D	½" Triclamp connection to ISO 2852
3	AB3	G94	Butt weld 33.7x2.0mm	E	Butt weld 13.5x1.6mm

Code	Drain
B	Sanitary valve with hose barb
D	½" Triclamp connection to ISO 2852
N	No drain

Main Accessories and Spares	
Pall part number	Description
ACS0598CM	Diaphragm valve kit for ½" Triclamp connection to ISO 2852 (includes clamp and gasket)
ACS0457FA	Pressure gauge kit -1 to 10 bar g for 1½" Triclamp connection to ISO 2852 (includes clamp and gasket)
ACS0429EU	Silicone housing closure gasket
ACS0602EM	Silicone housing valve gasket kit
ACS0632AA	Housing stand
Further spares and accessories on request	



Europa House, Havant Street
Portsmouth PO1 3PD, United Kingdom

Telephone: 023 92 303303
Fax: 023 92 302506
e-mail: UltrafineUK@pall.com
World Wide Web site: <http://www.pall.com>

Visit us on the web at www.pall.com

Pall Corporation has offices and plants throughout the world in locations including: Argentina, Australia, Austria, Belgium, Brazil, Canada, China, France, Germany, Hong Kong, India, Indonesia, Ireland, Italy, Japan, Korea, Malaysia, Mexico, the Netherlands, New Zealand, Norway, Poland, Puerto Rico, Russia, Singapore, Spain, South Africa, Sweden, Switzerland, Taiwan, Thailand, United Kingdom, and the United States. Distributors are located in all major industrial areas of the world.

Advanta Filter Housings

Advanced sanitary filter housings for liquid applications

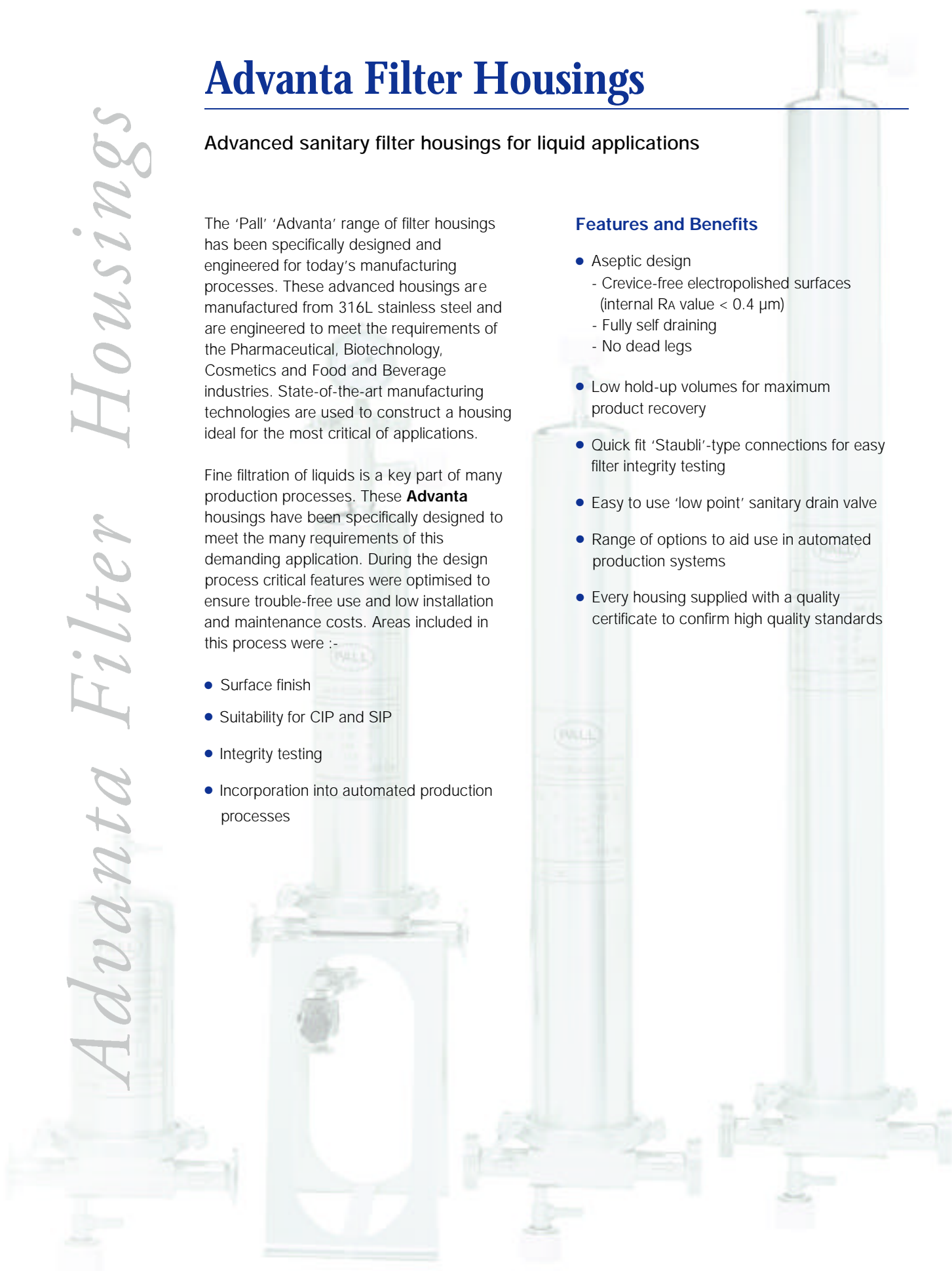
The 'Pall' 'Advanta' range of filter housings has been specifically designed and engineered for today's manufacturing processes. These advanced housings are manufactured from 316L stainless steel and are engineered to meet the requirements of the Pharmaceutical, Biotechnology, Cosmetics and Food and Beverage industries. State-of-the-art manufacturing technologies are used to construct a housing ideal for the most critical of applications.

Fine filtration of liquids is a key part of many production processes. These **Advanta** housings have been specifically designed to meet the many requirements of this demanding application. During the design process critical features were optimised to ensure trouble-free use and low installation and maintenance costs. Areas included in this process were :-

- Surface finish
- Suitability for CIP and SIP
- Integrity testing
- Incorporation into automated production processes

Features and Benefits

- Aseptic design
 - Crevice-free electropolished surfaces (internal RA value < 0.4 µm)
 - Fully self draining
 - No dead legs
- Low hold-up volumes for maximum product recovery
- Quick fit 'Staubli'-type connections for easy filter integrity testing
- Easy to use 'low point' sanitary drain valve
- Range of options to aid use in automated production systems
- Every housing supplied with a quality certificate to confirm high quality standards

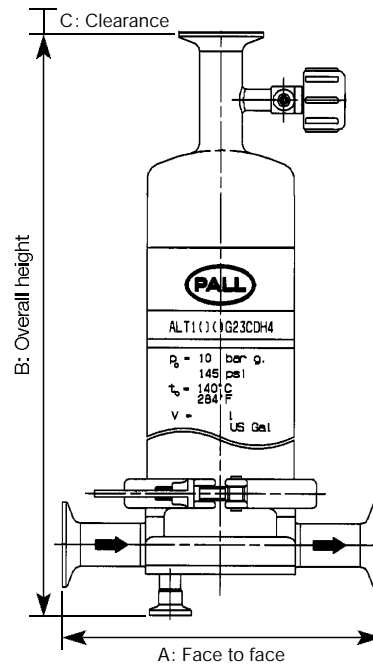


Technical Information

Dimensions

Pall part number*	A(mm)	B(mm)	C(mm)
ALT105G23CBH4	190	378	180
ALT11G23CBH4	190	514	340
ALT11G23CDH4	190	519	340
ALT11G23DDH4	190	437	340
ALT11GA25ABH4	190	517	340
ALT11GNW25CBH4	190	514	340
ALT12G23CBH4	190	765	590
ALT13G23CBH4	190	1039	840
ALT13GNW25CBH4	190	1039	840

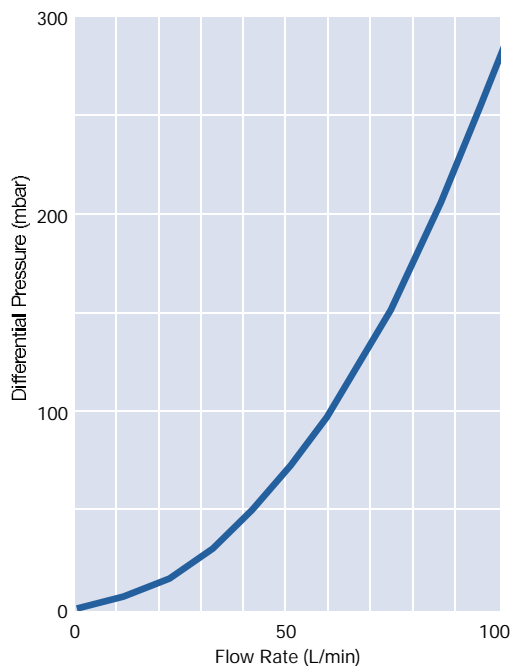
*These part numbers represent the most commonly used housing variants with the shortest lead times. Many other variants are available (see ordering information). Please contact Pall for further information.



Specification

Maximum operating pressure	10 bar g
Maximum operating temperature	140°C
Maximum steaming temperature	140°C
Materials of construction	Housing - AISI 316L stainless steel Clamp - AISI 316L, 314 stainless steel Seal - Silicone elastomer
Surface finish	Electropolished, typically <math><0.4 \mu\text{m}</math> RA value
Inspection documentation	Test report type 2.2 to EN10204

Typical WaterFlow vs Differential pressure**



**The flow/pressure drop characteristics refer to the empty housing only for water at 20°C. For other liquids multiply pressure drop by relative density. To obtain the total pressure drop of a complete filter assembly, the cartridge pressure drop must be added. Please refer to the relevant filter cartridge literature or contact Pall.